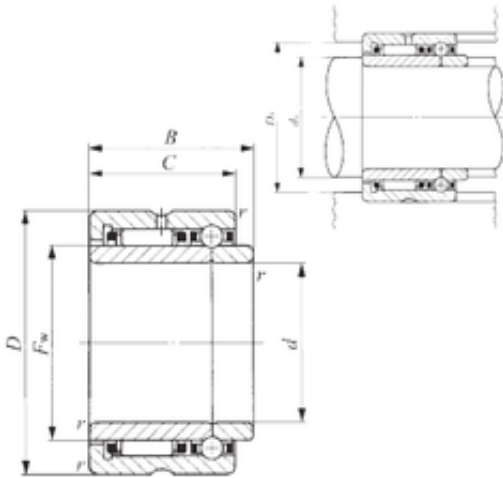




NATB 5912 IKO NATB 5912 IKO Complex Bearings

Bearing No. NATB 5912



NATB 5912 Bearing 2D drawings and 3D CAD models

Size	60x85x38 mm
Bore Diameter	60 mm
Outer Diameter	85 mm
Width	38 mm
d	60 mm
Fw	68 mm
D	85 mm
B	38 mm
C	34 mm
r min.	1 mm
da min.	65 mm
Da max.	80 mm
Weight	0,66 Kg
Dynamic load rating radial (C)	41,8 kN
Dynamic load rating axial (C)	10,7 kN
Static load rating radial (C0)	82,2 kN
Static load rating axial (C0)	26,7 kN